

MotorGuide®

REPAIR PARTS

Model:

667

SPECIFICATIONS:

Year of Intro	1999
Thrust	67LBS
Volts	12/24VDC
Amp Draw	0 to 34 amps
Mount	20 Bow
Speeds	5/5

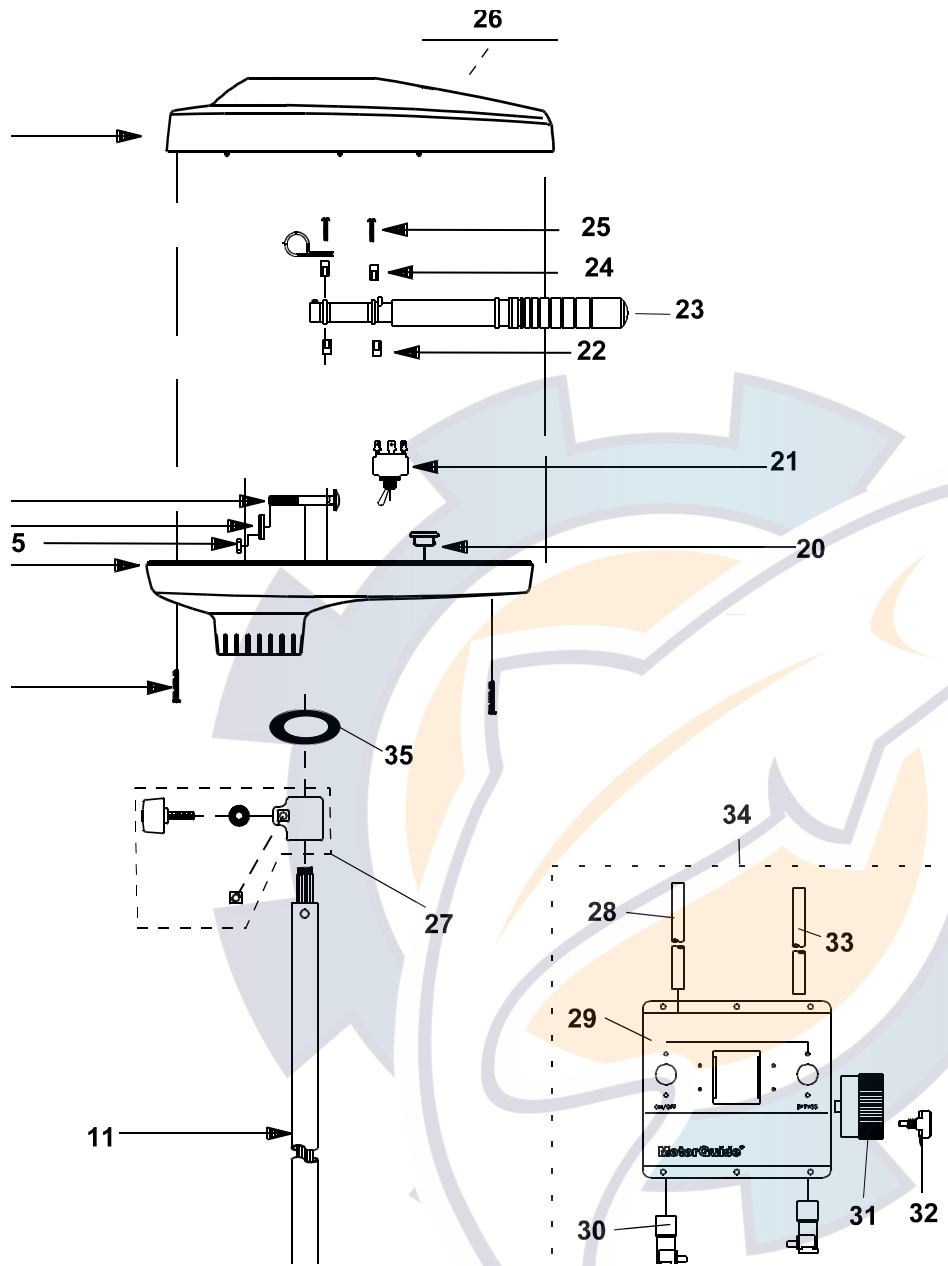
QUICK REFERENCE PARTS GUIDE:

Foot Switch	FP149-01
Rotary Switch	HF150-01
Handle Asy	AR372-10

PARTS ORDERING & TECH ASSISTANCE

MotorGuide Consumer Relations
 Phone 918-831-6989
 Fax 800-982-8093

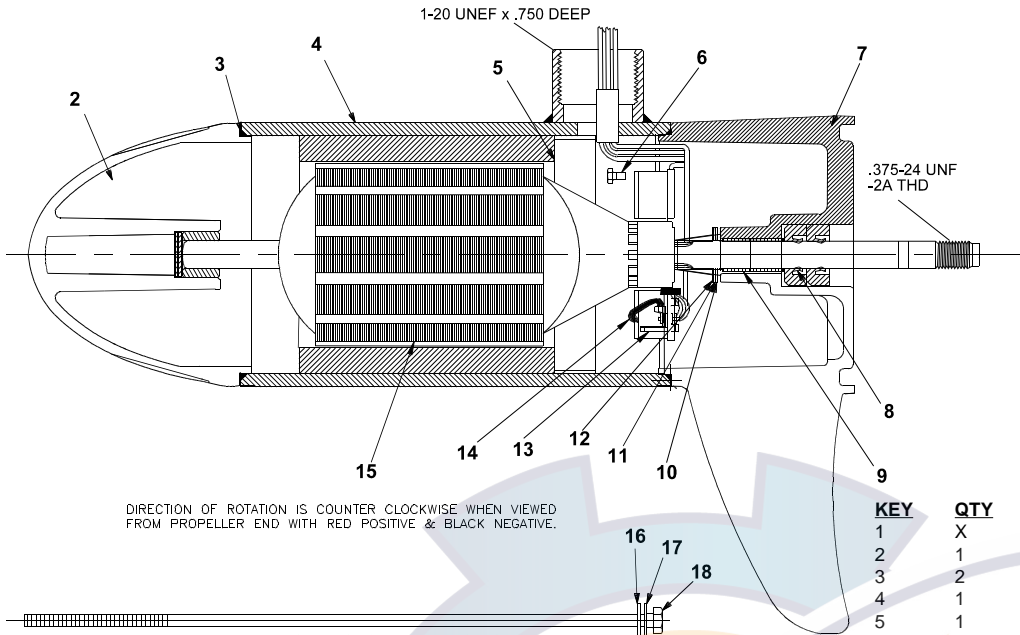
Returned Goods must be accompanied with a Returned Goods Authorization. Contact MotorGuide Consumer Relations to obtain RGA.



KEY	DESCRIPTION	PART #	KEY	DESCRIPTION	PART #
1	COVER WHITE	AT053-17	24	HANDLE ASY	AR372-10
	COVER BLACK	AT053-18	25	8 X 1-3/8 SCREW	AR133-01
2	NOT APPLICABLE		26	NOMENCLATURE	BR056-06
3	BOLT	TT134-01	27	DEPTH COLLAR ASY	AR158-01
4	CURVED WASHER	TT171-04	28	BATTERY CABLE	GP328-01
5	NYLON LOCK NUT	XT098-02	29	FOOT BOX COVER	GP353-02
6	T/H BASE WHITE	AR004-13	30	FOOT SWITCH	FP149-01
	T/H BASE BLACK	AR004-14	31	ROTARY DIAL	GP082-02
7	SCREW #8 X 1"	LF141-04	32	ROTARY SWITCH	HF150-01
8			33	CONTROL CABLE	
9			34	FOOT BOX ASY COMPLETE	GP300-01
10			35	COLUMN SEAL	AT079-01
11	42" .095 SS H/O COLUMN	FR049-15			
12	MARINE LOWER UNIT DECAL	AF060-04			
13	MONOFILAMENT WASHER	AR175-01			
14	PROP DRIVE PIN	BR102-01			
15	PROP/ 3 BLADE	AF124-10			
16	PROP NUT	AR099-01			
17	5 SP MOTOR	BF397-03			
18					
19	1/2" HOLE PLUG	FP021-03			
20	GROMMET	GR019-03			
21	TOGGLE SWITCH	FP153-06			
22	WIRE BRACKET	AT155-04			
23	RETAINER CLAMP	AR036-01			

LOWER UNIT BREAKDOWN

Model:
667



DIRECTION OF ROTATION IS COUNTER CLOCKWISE WHEN VIEWED FROM PROPELLER END WITH RED POSITIVE & BLACK NEGATIVE.

NOTE: TORQUE THRU BOLTS TO 40 TO 50 INCH LBS.

KEY	QTY	DESCRIPTION	PART NO.
1	X	MOTOR	VF397-01
2	1	NOSE CAP	XF3212-01
3	2	O RING SEAL	MR217-01
4	1	HOUSING ASY	UF3210-01
5	1	RETAINER	JF233-01
6	2	BRUSH CARD SCREW	MR228-01
7	1	COMM CAP	VF3205-01
8	2	SHAFT SEAL	MR223-01
9	1	BEARING	MR206-01
10	1	NYLATRON WASHER	MR226-01
11	1	WASHER	MR227-01
12	1	E RING	MR219-02
13	2	BRUSH SPRINGS	MR214-02
14	1	BRUSH ASY LESS SPRING	VF3201-01
15	1	ARMATURE	UF3207-01
16	4	STATIC SEAL	MR222-01
17	4	THRU BOLT WASHER	MR216-01
18	2	THRU BOLT	MR218-02

WIRING

12/24V WIRING DIAGRAM

FOOT PEDAL

MOTOR TOP HOUSING

12/24 SWITCH ON/OFF SWITCH
FP149-01 FP149-01

